

**AUTO-
MOTIVE
LAMPS**

TUNGSRAM

CONTENTS

	page
General	3
Headlight lamps	4
<i>Double filament headlight lamps</i>	4
<i>Asymmetric, halogen</i>	4
<i>Asymmetric, traditional</i>	6
<i>Single filament halogen headlight lamps</i>	7
Auxiliary lamps	8
<i>Stop and tail light lamps</i>	8
<i>Double filament</i>	8
<i>Stop, direction, reverse and fog light lamps</i>	9
<i>Single filament</i>	9
<i>Tail, parking, indicator, warning and interior lamps</i>	10
<i>in spherical bulb</i>	10
<i>in tubular bulb</i>	11
<i>with wedge base</i>	12
<i>in festoon form</i>	12
<i>Miniature halogen interior lamps</i>	13
Bicycle and scooter lamps	14
<i>Headlight lamps</i>	14
<i>Halogen</i>	14
<i>Traditional</i>	14
<i>Tail lamps</i>	15
Lamp bases	16
Packing data	18

TUNGSRAM offers one of Europe's largest ranges of vehicle lamps. Our superior quality is achieved by extensive use of the latest research and development with highly qualified technical personnel working in modern laboratories.

TUNGSRAM's constant quality aim is Zero Defect. This goal involves designing quality into vehicle lamps which leads to suitability, quality and reliability as high as modern technology can make them. Our lamps are manufactured to strict international standards and appropriately marked in conformance with E.C.E. regulations or with other Standards (DIN, ANSI).

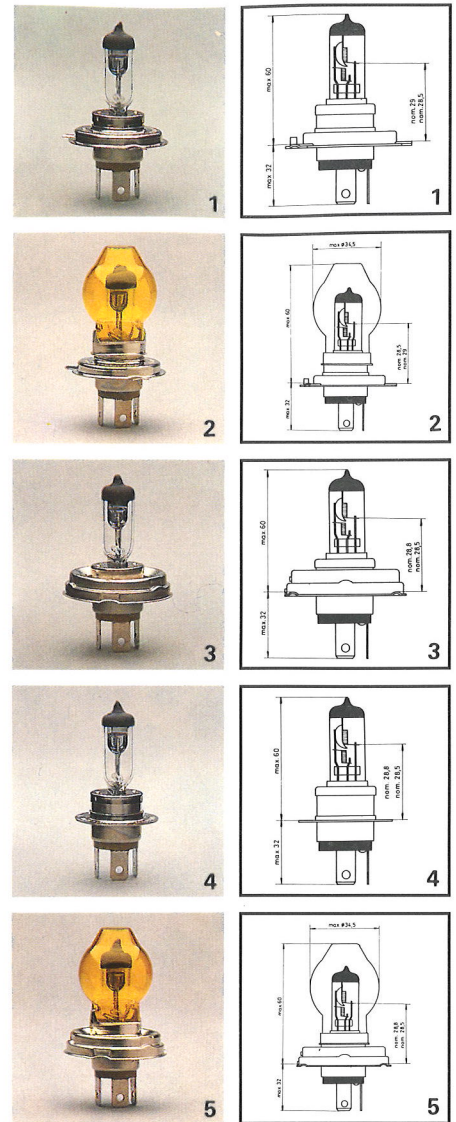
Life is specified considering DIN 72601 and the I.E.C. Standard respectively. Rated values refer to the values marked on the lamp.

Design values refer to the values found at the test voltage in conformance with E.C.E. regulations and DIN Standard.

TUNGSRAM is constantly developing and improving its products. The right is reserved to change technical details without notice.

HEADLIGHT LAMPS

DOUBLE FILAMENT HEADLIGHT LAMPS ASYMMETRIC, HALOGEN



Lamp types according to ECE R37

Fig.	Type No	ECE R37 indication	Rated values		Design values		Life (hours)	Base
			Volts	Watts	Volts	Watts		
1	50460	HS1	6	35/35	6.3	35/35	100/200	PX43t
1	50470	HS1	12	35/35	13.2	35/35	100/200	PX43t
1	50440*	H4	12	60/55	13.2	71/64	150/300	P43t-38
2	70440	H4 yellow	12	60/55	13.2	71/64	150/300	P43t-38
1	50450	H4	24	75/70	28	80/73	150/300	P43t-38
2	70450	H4 yellow	24	75/70	28	80/73	150/300	P43t-38

Packing quantity: 1/10/100.

* In hard glass, too.

HEADLIGHT LAMPS

Special lamps

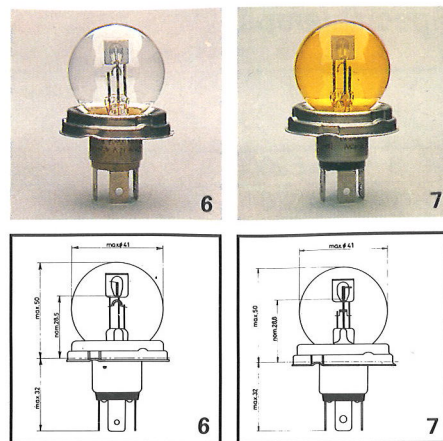
Fig.	Type No	Rated values		Design values		Life (hours)	Base
		Volts	Watts	Volts	Watts		
3	52600	6	35/35	6.3	35/35	100/200	P45t-41
1	52640	6	35/35	6.3	35/35	100/200	P43t-38
4	52000	12	100/55	13.2	98/64	100/200	P36t
3	52020	12	100/55	13.2	98/64	100/200	P45t-41
5	72020 yellow	12	100/55	13.2	98/64	100/200	P45t-41
3	52030	12	100/80	13.2	98/78	100/200	P45t-41
5	72030 yellow	12	100/80	13.2	98/78	100/200	P45t-41
3	52040	12	100/90 CP	13.2	71/64	100/200	P45t-41
5	72040 yellow	12	100/90	13.2	71/64	100/200	P45t-41
1	52050	12	100/90 CP	13.2	71/64	100/200	P43t-38
2	72050 yellow	12	100/90	13.2	71/64	100/200	P43t-38
4	52060	12	100/80	13.2	98/78	100/200	P36t
3	52070	12	60/55	13.2	71/64	100/200	P45t-41
5	72070 yellow	12	60/55	13.2	71/64	100/200	P45t-41
1	52090	12	100/55	13.2	98/64	100/200	P43t-38
2	72090 yellow	12	100/55	13.2	98/64	100/200	P43t-38
1	52100	12	100/80	13.2	98/78	100/200	P43t-38
2	72100 yellow	12	100/80	13.2	98/78	100/200	P43t-38
4	52110	12	60/55	13.2	71/64	100/200	P36t
3	52610	12	35/35	13.2	35/35	100/200	P45t-41
1	52650	12	35/35	13.2	35/35	100/200	P43t-38
1	52670	12	140/100	13.2	130/90	25/50	P43t-38
3	52080	24	75/70	28	80/73	100/200	P45t-41
5	72080 yellow	24	75/70	28	80/73	100/200	P45t-41
4	52120	24	75/70	28	80/73	100/200	P36t
1	52710	24	100/70	28	99/73	100/200	P43t-38
3	52730	24	100/70	28	99/73	100/200	P45t-41

Packing quantity: 1/10/100.

Further packing specifications see p. 18.

HEADLIGHT LAMPS

DOUBLE FILAMENT HEADLIGHT LAMPS ASYMMETRIC, TRADITIONAL



Lamp types according to ECE R37

Fig.	Type No	ECE R37 indication	Rated values		Design values		Life (hours)	Base
			Volts	Watts	Volts	Watts		
6	1926	R2	6	45/40	6	45/40	75/150	P45t-41
6	3926	R2 yellow	6	45/40	6	45/40	75/150	P45t-41
6	1931	R2	12	45/40	12	45/40	75/150	P45t-41
6	3931	R2 yellow	12	45/40	12	45/40	75/150	P45t-41
7	1937	R2	24	55/50	24	55/50	75/150	P45t-41
7	3937	R2 yellow	24	55/50	24	55/50	75/150	P45t-41

Packing quantity: 1/10/100.

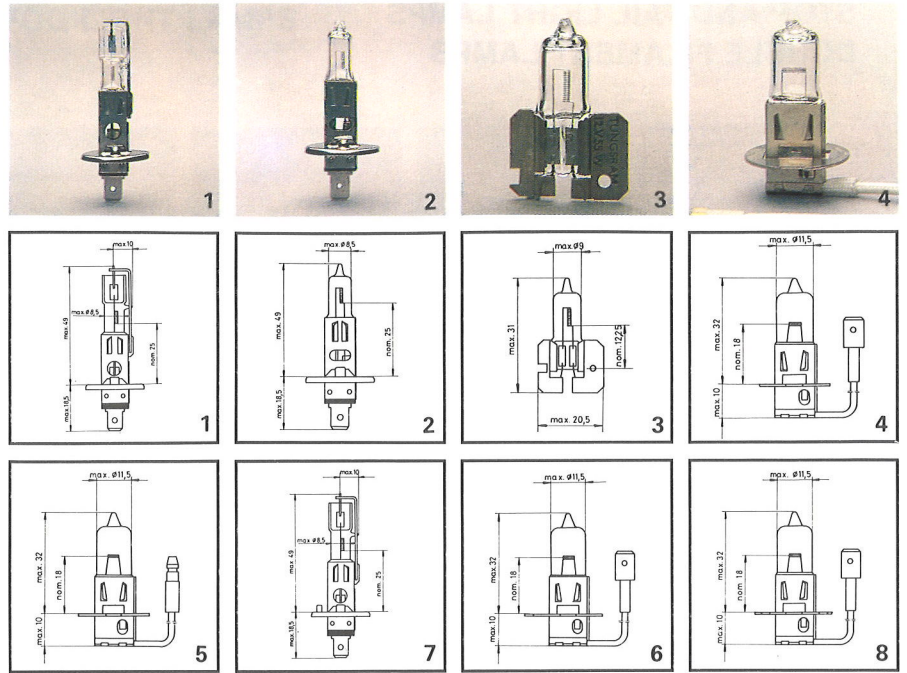
Special lamps

Fig.	Type No	Rated values		Design values		Life (hours)	Base
		Volts	Watts	Volts	Watts		
6	1976	6	75/75CP	6	75/75CP	100/100	P45t-41
6	1981	12	75/75CP	12	75/75CP	100/100	P45t-41
6	3981 yellow	12	75/75CP	12	75/75CP	100/100	P45t-41
7	1987	24	60/60CP	24	60/60CP	100/100	P45t-41

Packing quantity: 1/10/100.

HEADLIGHT LAMPS

SINGLE FILAMENT HALOGEN HEADLIGHT LAMPS



Lamp types according to ECE R37

Fig.	Type No	ECE R37 indication	Rated values		Design values		Life (hours)	Base
			Volts	Watts	Volts	Watts		
1	50300	H1	6	55	6.3	60	150	P14.5s
1	50310	H1	12	55	13.2	62	225	P14.5s
2	50310/1	H1	12	55	13.2	62	225	P14.5s
1	50320	H1	24	70	28	80	225	P14.5s
2	50320/1	H1	24	70	28	80	225	P14.5s
3	50410	H2	12	55	13.2	62	225	X511
3	50420	H2	24	70	28	84	225	X511
4	50330	H3	6	55	6.3	55	150	PK22s
4	50340	H3	12	55	13.2	62	225	PK22s
4	50350	H3	24	70	28	73	225	PK22s

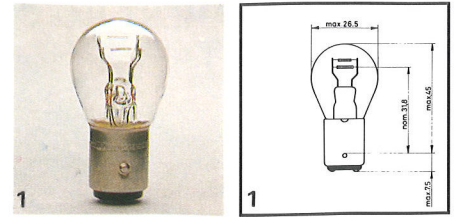
Special lamps

Fig.	Type No	Rated values		Design values		Life (hours)	Base
		Volts	Watts	Volts	Watts		
4	50390	12	35	13.2	40	150	PK22s
5	52190	12	35	13.2	40	200	PK22s/A
5	52180	12	55	13.2	62	225	PK22s/A
6	50360	12	100	13.2	92	100	PK22s/R
7	50370	12	100	13.2	100	100	P14.5s/R
4	52130	12	100	13.2	92	100	PK22s
1	52140	12	100	13.2	100	100	P14.5s
3	52150	12	100	13.2	100	100	X511
8	52510	24	45	28	50.1	500	PK20s
8	52500	24	60	28	64.8	500	PK20s
6	50380	24	100	28	104	100	PK22s/R
4	50400	24	100	28	104	100	PK22s
8	52570	24	100	28	104	150	PK20s

Packing quantity: H1=1/10/100, H2=1/10/500, H3=1/10/200.
Further packing specifications see p. 18.

AUXILIARY LAMPS

STOP AND TAIL LIGHT LAMPS DOUBLE FILAMENT LAMPS



Lamp types according to ECE R37

Fig.	Type No	ECE R37 indication	Rated values		Design values		Life (hours)	Base
			Volts	Watts	Volts	Watts		
1	1076	P21/5W	6	21/5	6.75	26/6	100/100	BAY15d
1	1122	P21/4W	12	21/4	13.5	25/5	100/100	BAZ15d
1	1077	P21/5W	12	21/5	13.5	25/6	150/1500	BAY15d
1	1077L*	P21/5W	12	21/5	13.5	25/6	300/2000	BAY15d
1	1078	P21/5W	24	21/5	28	28/10	150/1500	BAY15d

Packing quantity: 10/200.

Special lamps

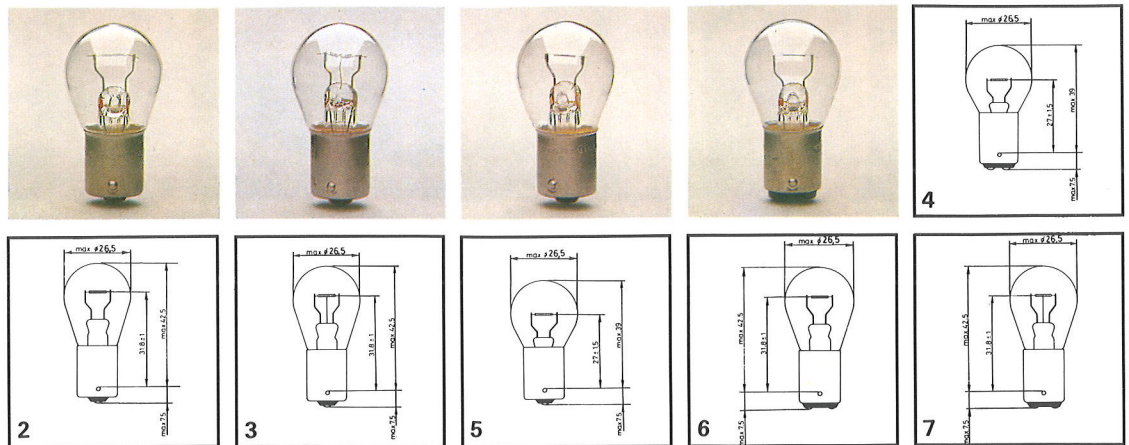
Fig.	Type No	Standards	Rated values		Design values		Life (hours)	Base
			Volts	Watts	Volts	Watts		
1	1082		6	18/5	6.75	17.9/5	75/200	BA15d
1	1083	DIN 72601SL	6	18/5	6.75	17.9/5	75/200	BAY15d
1	1088		6	20/5	6.75	20/5	75/200	BA15d
1	1089		6	20/5	6.75	20/5	75/200	BAY15d
1	1074		12	18/5	13.5	18.2/5	75/200	BA15d
1	1075		12	18/5	13.5	18.2/5	75/200	BAY15d
1	1098		12	20/5	13.5	20/5	75/200	BA15d
1	1099		12	20/5	13.5	20/5	75/200	BAY15d
1	1101		12	25/7	13.5	25/6	75/200	BAY15d
1	1157	ANSI	12	32/3CP	12.8/14	2.1A/0.59A	600/2000	BAY15d
1	1124		24	18/5	28	20.4/7.3	75/200	BA15d
1	1126		24	18/5	28	20.4/7.3	75/200	BAY15d

Packing quantity: 10/200.

* L-lamps are krypton-filled.

Further packing specifications see p. 18.

STOP, DIRECTION, REVERSE AND FOG LIGHT LAMPS SINGLE FILAMENT LAMPS



Lamp types according to ECE R37

Fig.	Type No	ECE R37 indication	Rated values		Design values		Life (hours)	Base
			Volts	Watts	Volts	Watts		
2	1053	P21W	6	21	6.75	26	100	BA15s
2	1057	P21W	12	21	13.5	25	150	BA15s
2	1057L*	P21W	12	21	13.5	25	300	BA15s
2	1060	P21W	24	21	28	28	150	BA15s
3	1060HD**	P21W	24	21	28	28	150	BA15s

Packing quantity: 1/10/200.

Special lamps

Fig.	Type No	Standard	Rated values		Design values		Life (hours)	Base
			Volts	Watts	Volts	Watts		
5	1141	DIN 72601F	6	15	6.75	15	75	BA15s
5	1055	DIN 72601R	6	18	6.75	18	75	BA15s
4	1142		12	15	13.5	15	75	BA15d
5	1143	DIN 72601F	12	15	13.5	15	75	BA15s
5	1059	DIN 72601R	12	18	13.5	18	100	BA15s
6	1058		12	21	13.5	25	150	BA15d
2	1156	ANSI	12	32CP	12.8	2.1A	600	BA15s
5	1115		24	15	28	15	100	BA15s
4	1116		24	18	28	20	100	BA15d
5	1117	DIN 72601R	24	18	28	20	100	BA15s
6	1061		24	21	28	28	150	BA15d
7	1061HD**		24	21	28	28	150	BA15d
6	1132		24	24	28	28	100	BA15d
2	1134		24	24	28	28	100	BA15s
6	1135		28	26	28	28	100	BA15d
2	1137		28	26	28	28	100	BA15s

Packing quantity: 10/200.

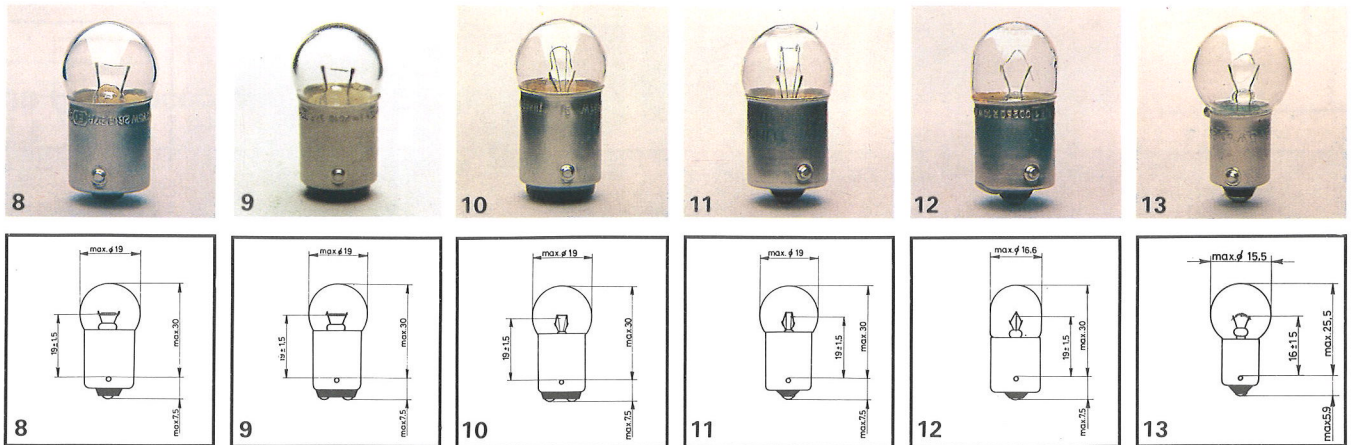
* L-lamps are krypton-filled.

** Heavy-Duty lamps feature robust design with prolonged life under circumstances they must perform.

Further packing specifications see p. 18.

AUXILIARY LAMPS

TAIL, PARKING, INDICATOR, WARNING AND INTERIOR LAMPS IN SPHERICAL BULBS



Lamp types according to ECE R37

Fig.	Type No	ECE R37 indication	Rated values		Design values		Life (hours)	Base
			Volts	Watts	Volts	Watts		
9	2614	R5W	6	5	6.75	5.2	200	BA15d
8	2615	R5W	6	10	6.75	10	200	BA15s
9	2638	R10W	6	10	6.75	10	200	BA15d
8	2639	R10W	6	10	6.75	10	200	BA15s
8	2619	R5W	12	5	13.5	5	200	BA15s
8	2619L*	R5W	12	5	13.5	5	500	BA15s
9	2640	R10W	12	10	13.5	10	200	BA15d
8	2641	R10W	12	10	13.5	10	200	BA15s
10	2626	R5W	24	5	28	7	200	BA15d
11	2627	R5W	24	5	28	7	200	BA15s
11	2627HD**	R5W	24	5	28	7	200	BA15s
12	2643	R10W	24	10	28	12.5	200	BA15s
12	2643HD**	R10W	24	10	28	12.5	200	BA15s

Packing quantity: 10/500.

Special lamps

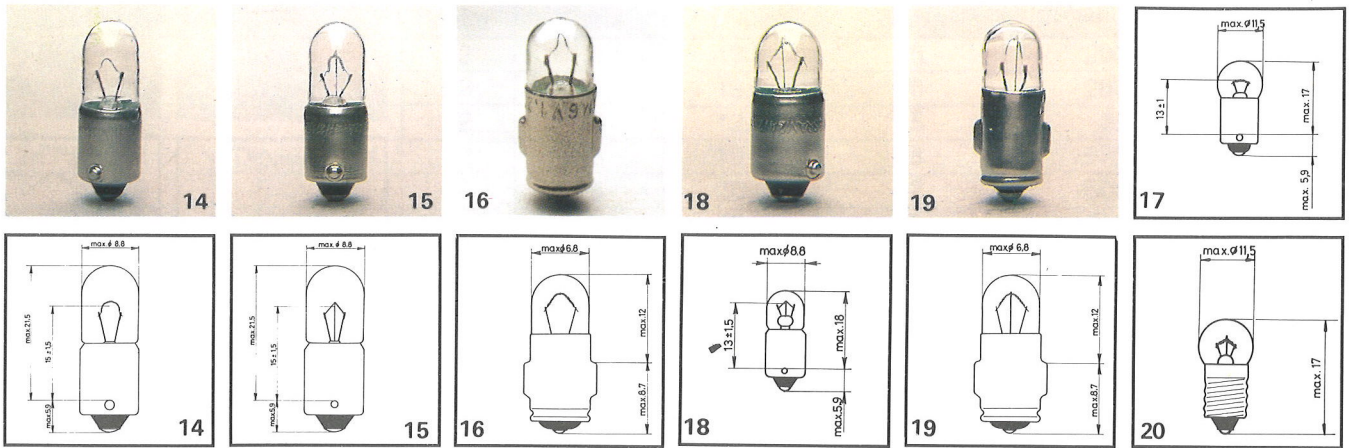
Fig.	Type No	Standard	Rated values		Design values		Life (hours)	Base
			Volts	Watts	Volts	Watts		
13	2632		6	5	6.75	5	200	BA9s
8	2609		12	3	13.5	3.2	200	BA15s
9	2618		12	5	13.5	5	200	BA15d
13	2633		12	5	13.5	5	200	BA9s
13	2665		12	6	13.5	6	200	BA9s
8	67	ANSI	12	4CP	13.5	0.59A	2000	BA15s
8	2621		13	7.5	12	6.5	100	BA15s

Packing quantity: 25/500.

* L-lamps are krypton-filled.

** Heavy-Duty lamps feature robust design with prolonged life under circumstances they must perform. Further packing specifications see p. 18.

TAIL, PARKING, INDICATOR, WARNING AND INTERIOR LAMPS IN TUBULAR BULB



Lamp types according to ECE R37

Fig.	Type No	ECE R37 indication	Rated values		Design values		Life (hours)	Base
			Volts	Watts	Volts	Watts		
14	2659	T4W	6	4	6.75	1.2	200	BA9s
14	2662	T4W	12	4	13.5	4	300	BA9s
14	2662L*	T4W	12	4	13.5	4	500	BA9s
15	2661	T4W	24	4	28	5	200	BA9s
15	2661HD**	T4W	24	4	28	5	200	BA9s

Packing quantity: 10/500.

Special lamps

Fig.	Type No	Standard	Rated values		Design values		Life (hours)	Base
			Volts	Watts	Volts	Watts		
16	2690	DIN 72601J	6	1.2	6.75	1.2	200	BA7s
17	2671		6	1.5	6.75	1.5	200	BA9s
18	2657		6	2	6.75	2	200	BA9s
17	2673		12	1.5	13.5	1.5	200	BA9s
18	2660		12	2	13.5	2	200	BA9s
19	2696	DIN 72601J	12	2	13.5	2	200	BA7s
20	2683		12	3	13.5	3	200	E10/13
18	2656		12	3	13.5	3.3	200	BA9s
17	2697		12	3	13.5	3	200	BA9s
18	2663		24	2	28	3	200	BA9s
17	2681		24	3	28	3	200	BA9s
20	2688		24	3	28	3	200	E10/13
19	2692	DIN 72601J	24	3	28	3	200	BA7s

Packing quantity: 10/1000.

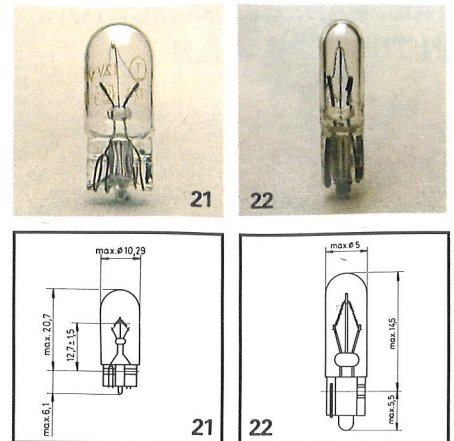
* L-lamps are krypton-filled.

** Heavy-Duty lamps feature robust design with prolonged life under circumstances they must perform.

Further packing specifications see p. 18.

AUXILIARY LAMPS

TAIL, PARKING, INDICATOR, WARNING AND INTERIOR LAMPS WITH WEDGE BASE



Lamp types according to ECE R37

Fig.	Type No	ECE R37 indication	Rated values		Design values		Life (hours)	Base
			Volts	Watts	Volts	Watts		
21	5304	W3W	12	3	13.5	3	1000	W2.1×9.5d
21	5307	W3W	12	5	13.5	5	200	W2.1×9.5d

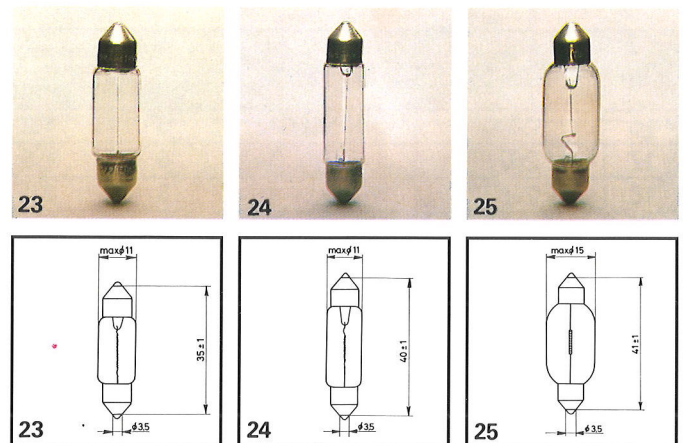
Packing quantity: 10/500.

Special lamps

Fig.	Type No	Rated values		Design values		Life (hours)	Base
		Volts	Watts	Volts	Watts		
22	5301	12	1.2	13.5	1.2	1000	W2×4.6d
21	5313	12	2	13.5	2.2	1000	W2.1×9.5d

Packing quantity: 10/500.

IN FESTOON FORM



Lamp types according to ECE R37

Fig.	Type No	ECE R37 indication	Rated values		Design values		Life (hours)	Base
			Volts	Watts	Volts	Watts		
23	7544	C5W	6	5	6.75	5	200	SV8.5/8
23	7546	C5W	12	5	13.5	5	300	SV8.5/8
23	7552	C5W	24	5	28	7	300	SV8.5/8

Packing quantity: 10/500.

Special lamps

Fig.	Type No	Standard	Rated values		Design values		Life (hours)	Base
			Volts	Watts	Volts	Watts		
24	7575		12	5	13.5	5	200	SV8.5/8
24	7576	DIN 72601K	12	10	13.5	10	200	SV8.5/8
25	7592		12	15	13.5	15	75	SV8.5/8
25	7593	DIN 72601K	12	18	13.5	18	75	SV8.5/8
25	7579		24	5	28	7	500	SV8.5/8
25	7580		24	10	28	10	1000	SV8.5/8
25	7594		24	15	28	15	75	SV8.5/8
25	7595	DIN 72601K	24	18	28	18	75	SV8.5/8

Packing quantity: 10/500.

MINIATURE HALOGEN INTERIOR LAMPS

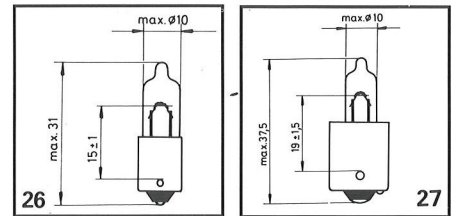
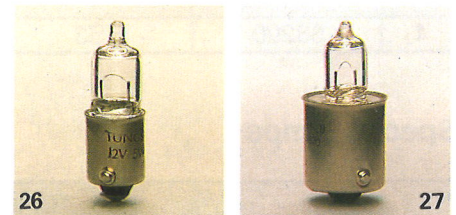


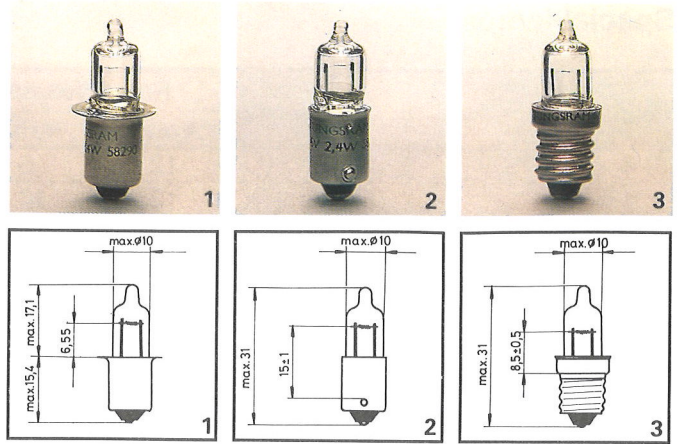
Fig.	Type No	Rated values		Design values		Life (hours)	Base
		Volts	Watts	Volts	Watts		
26	56120	6	20	6.3	21	100	BA9s
26	58540	12	5	13.5	5	240	BA9s
27	58570	12	5	13.5	5	240	BA15s
26	58560	12	10	13.5	10	240	BA9s
27	58580	12	10	13.5	10	240	BA15s
26	56110	12	20	13.2	24.2	100	BA9s

Packing quantity: 1/10/500.

Further packing specifications see p. 18.

BICYCLE AND SCOOTER LAMPS

HEADLIGHT LAMPS HALOGEN



Lamp types according to ECE R37

Fig.	Type No	ECE R37 indication	Rated values		Design values		Life (hours)	Base
			Volts	Watts	Volts	Watts		
1	58290	HS3	6	2.4	6	2.5	100	PX13.5s

Special lamps

Fig.	Type No	Rated values		Design values		Life (hours)	Base
		Volts	Watts	Volts	Watts		
3	58170	6	2.4	6	2.5	100	EP10/14×11
2	58230	6	2.4	6	2.5	100	BA9s
3	58180	6	3	6	3.1	100	EP10/14×11
2	58240	6	3	6	3.1	100	BA9s
1	58300	6	3	6	3.1	100	PX13.5s

Packing quantity: 1/10/500.

TRADITIONAL

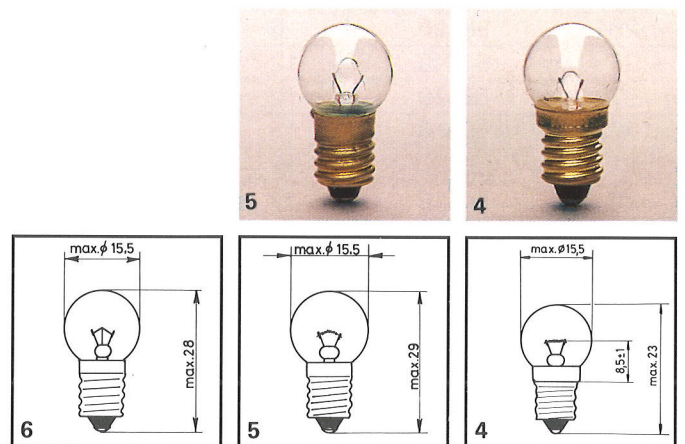


Fig.	Type No	Standard	Rated values		Design values		Life (hours)	Base
			Volts	Watts	Volts	Watts		
4	2765	DIN 49848	6	2.4	6	2.4	100	EP10/14×11
5	2746		6	2.7	6	2.7	100	E10/13
5	2747		6	3	6	3	100	E10/13
5	2727		6	6	6.75	6	100	E10/13
6	2728		12	6	13.5	6	100	E10/13

Packing quantity: 10/1000.

BICYCLE AND SCOOTER LAMPS

TAIL LAMPS

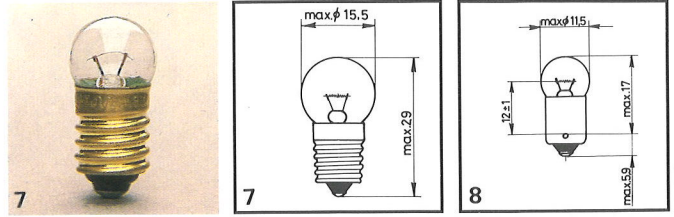
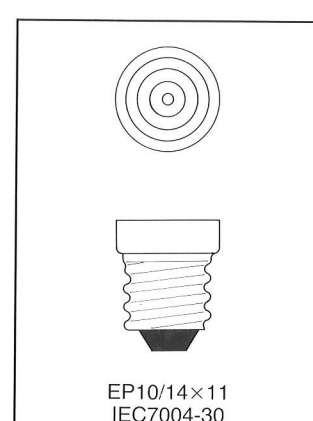
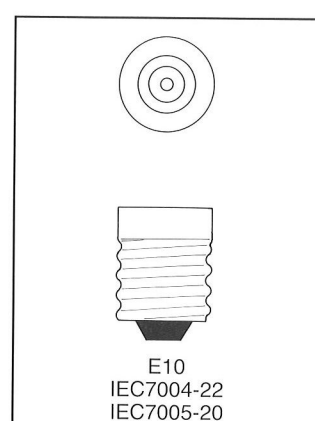
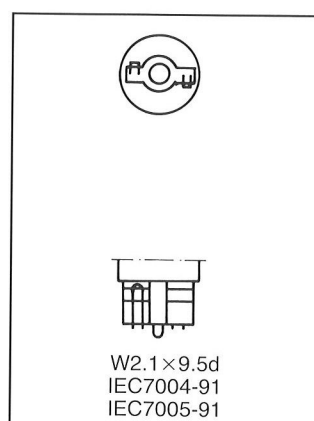
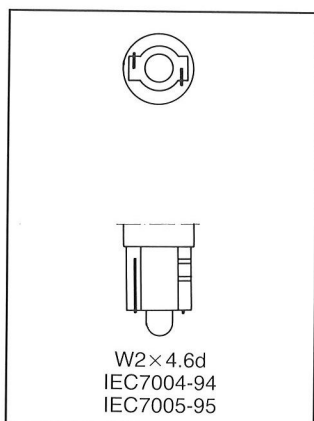
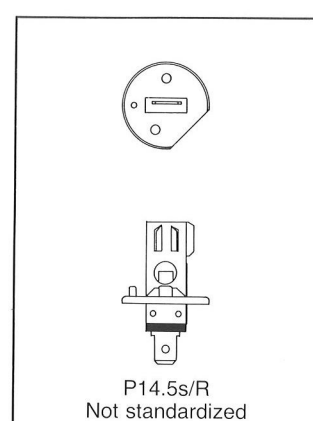
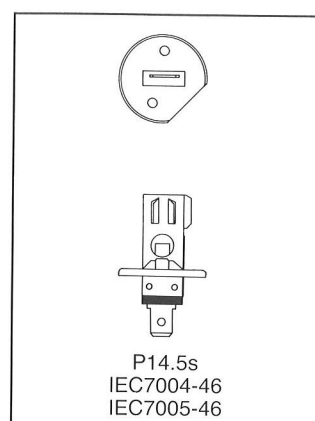
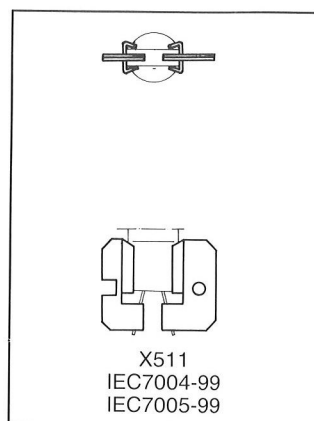
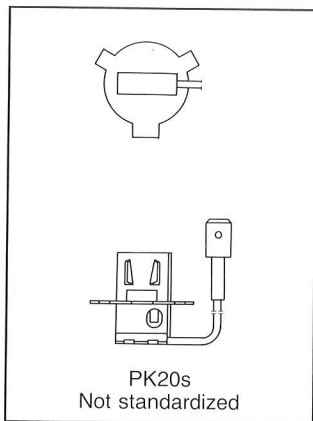
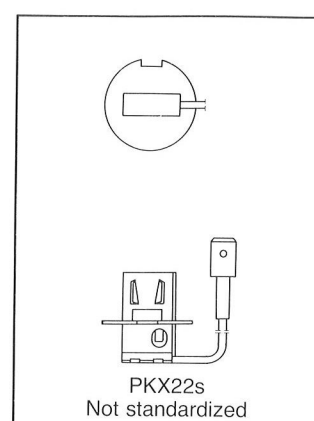
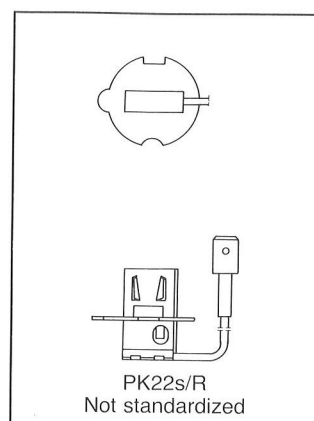
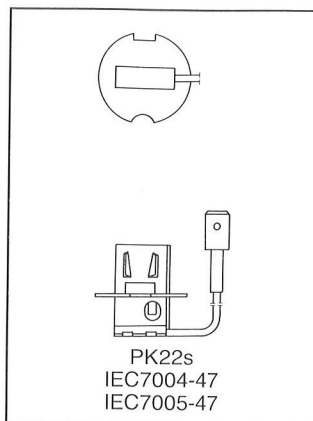
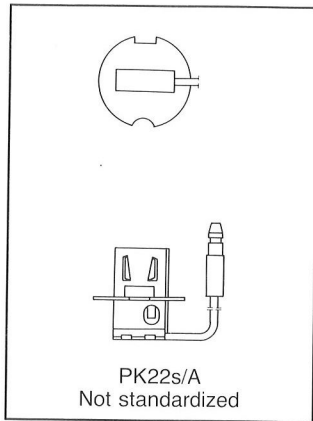


Fig.	Type No	Standard	Rated values		Design values		Life (hours)	Base
			Volts	Watts	Volts	Watts		
7	2702	DIN 49848	6	0.6	6	0.6	100	E10/13
8	2703		6	0.6	6	0.6	100	BA9s

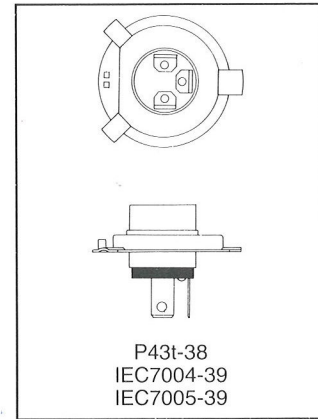
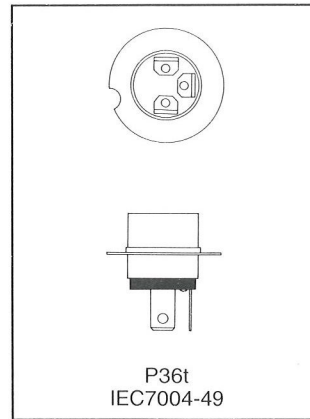
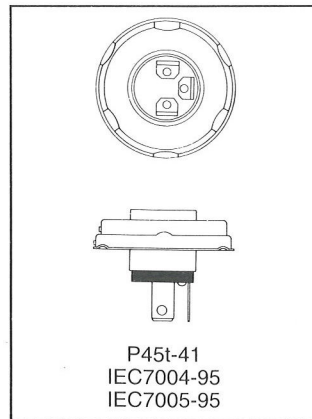
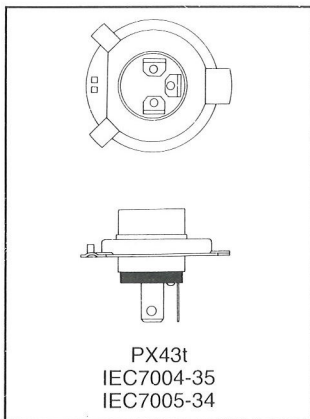
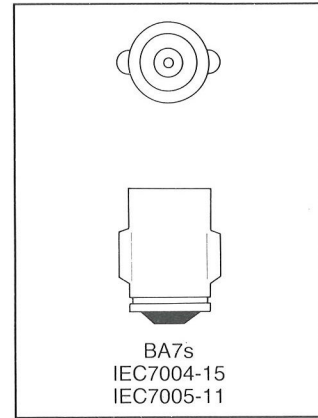
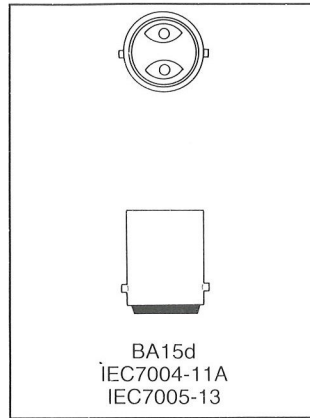
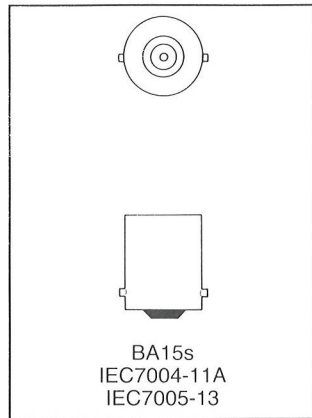
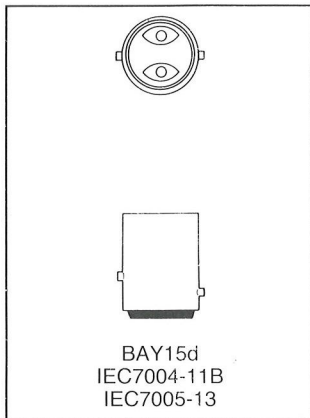
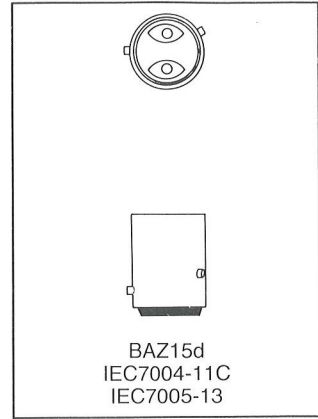
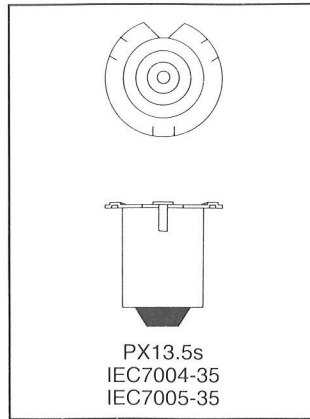
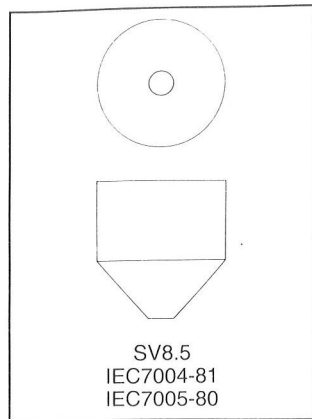
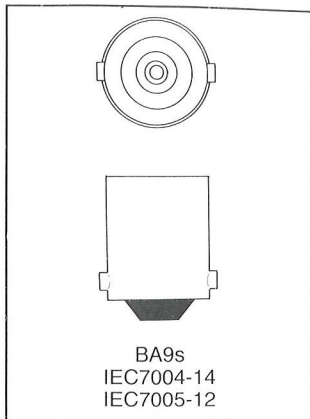
Packing quantity: 10/1000.

Further packing specifications see p. 18.

LAMP BASES



LAMP BASES



PACKING DATA

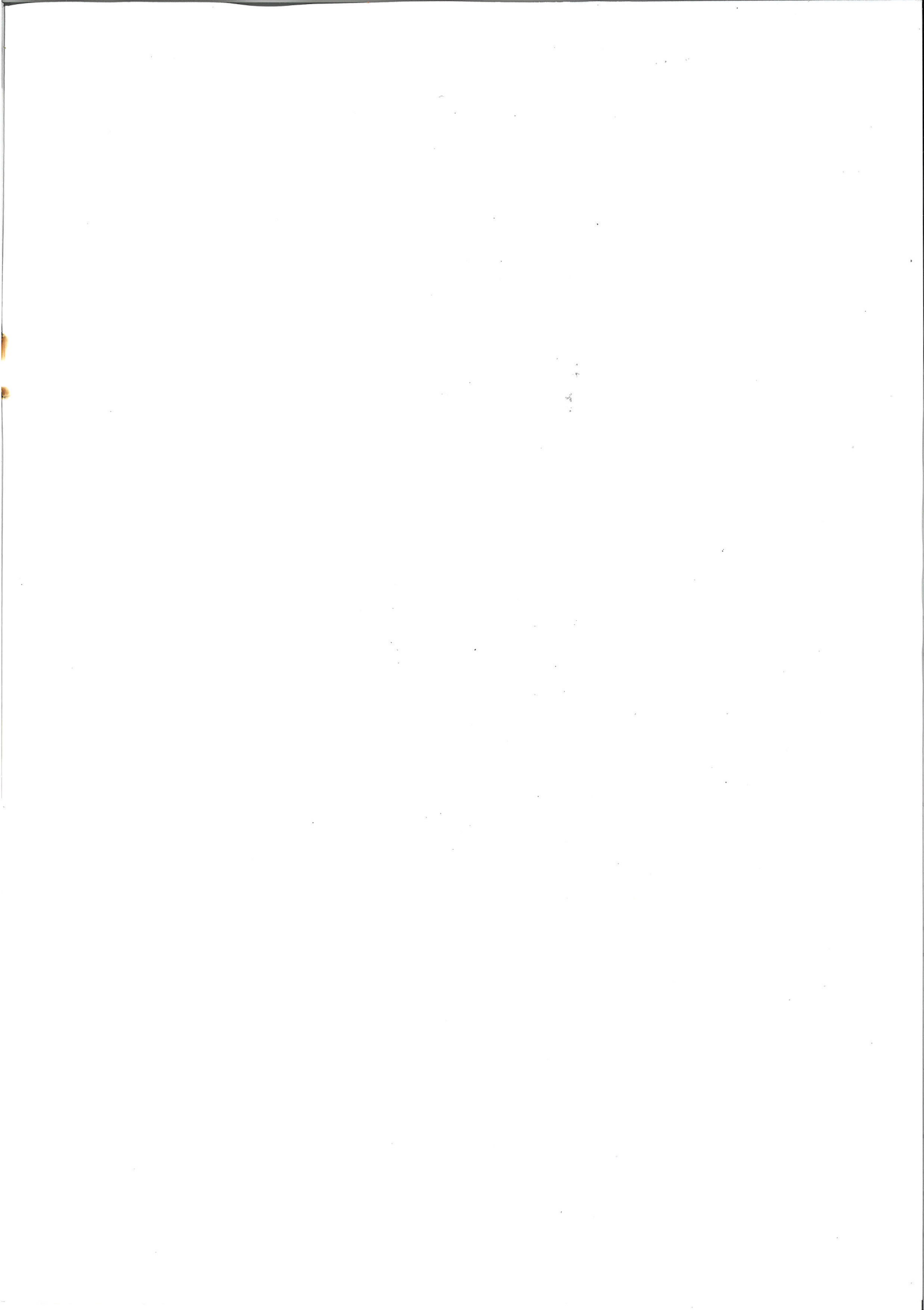
Blister packing

Type No	Packing quantity
50440	1pack
50310	1pack
50340	1pack
52130	1pack
52100	1pack
50410	1pack
52150	1pack
58570	1pack
58580	1pack
58170	1pack
58290	1pack
1057L	2pack
1077L	2pack
7546	2pack
7576	2pack
2619L	2pack
2641	2pack
2662L	2pack

Other packing quantity

Type No	Packing quantity
1077	1/10/200
1077L	1/10/200
1057	1/10/200
1057L	1/10/200
1060	1/10/200
1060HD	1/10/200
1061	1/10/200
1061HD	1/10/200
2619	1/10/200
2641	1/10/200
2627	1/10/200
2643	1/10/200
2662	1/10/200
2662L	1/10/200
2661	1/10/200
2661HD	1/10/200
7546	1/10/200
7576	1/10/200





TUNGSRAM

14009031 — 1606